

SIMONA



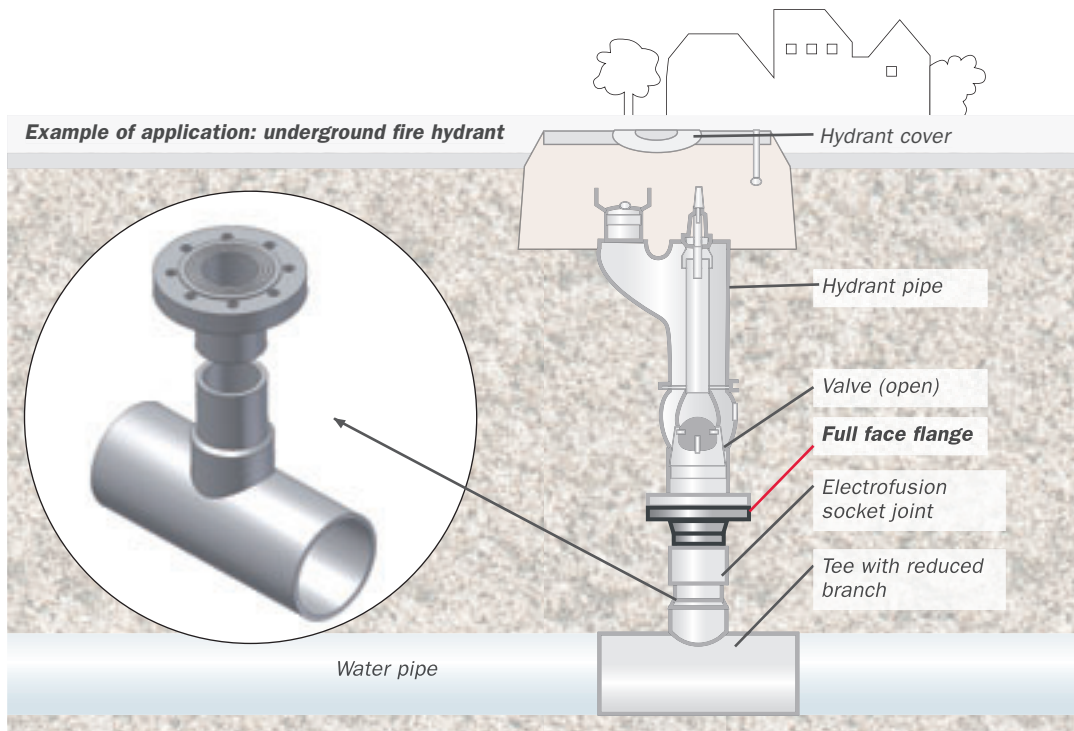
SIMONA® PE 100 Full Face Flanges

Universal connection, compact design

An excellent choice for the connection of different materials – SIMONA® PE 100 full face flanges



Example of application: underground fire hydrant

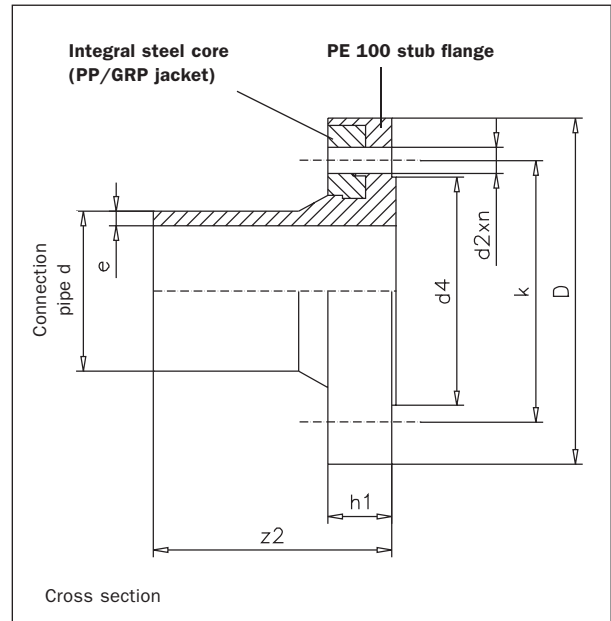
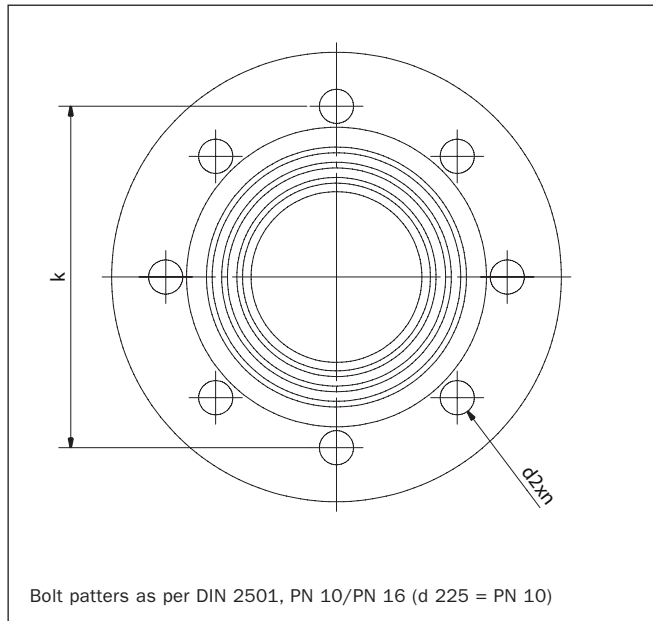


SIMONA® PE 100 full face flanges combine the high section modulus of PP/steel with the exceptional connection versatility of PE 100. Produced as part of a state-of-the-art injection moulding process, full face flanges can be used for the reliable and efficient connection of PE piping systems to metal-based components. Thus, SIMONA® PE 100 full face flanges are the perfect choice when it comes to combining different types of material within a specific piping system.

Advantages

- Bolt pattern as per DIN 2501
- Pressure rating up to PN 16 (water)
- Safe and reliable bolt tensioning thanks to PP/GRP jacket
- Elongated spigots
- Consistently high quality and short delivery times due to automated injection moulding process

Product range – SIMONA® PE 100 full face flanges



SDR 11

d mm	e mm	DN mm	h1 mm	D mm	d4 mm	k mm	d2 mm	n holes	z2 mm	Weight kg
63	5.8	50	34	180	101	125	18	4	120	1.640
90	8.2	80	37	214	138	160	18	8	140	2.080
110	10.0	100	47	238	157	180	18	8	167	3.210
125	11.4	100	47	238	157	180	18	8	180	3.210
160	14.6	150	55	304	212	240	22	8	186	6.030
180	16.4	150	55	304	212	240	22	8	195	5.450
225	20.5	200	62	356	264	295	22	8	200	9.100



The perfect combination for maximum-pressure operation
 Alongside full face flanges, SIMONA also supplies tees with reduced branches for full-pressure loads (for further information, please refer to our flyer „SIMONA® PE 100 Tees with Reduced Branch“)

Put your trust in quality and expertise

As one of the world's leading manufacturers of plastic piping systems, SIMONA offers you best-in-class product quality and exceptional engineering expertise.

Our quality and environmental management system certified in accordance with DIN EN ISO 9001 : 2000 and DIN EN ISO 14001 : 2005 reflects our commitment to excellence testimony.



We look forward to assisting you.

SIMONA AG

Teichweg 16
D-55606 Kirn
Phone +49 (0) 67 52 14-0
Fax +49 (0) 67 52 14-211
mail@simona.de
www.simona.de

Business Unit Piping systems

Phone +49 (0) 67 52 14-998
Fax +49 (0) 67 52 14-741
piping systems@simona.de

Plant I/II

Teichweg 16
D-55606 Kirn
Phone +49 (0) 67 52 14-0
Fax +49 (0) 67 52 14-211

Plant III

Gewerbestraße 1-2
D-77975 Ringsheim
Phone +49 (0) 78 22 436-0
Fax +49 (0) 78 22 436-124

Plant V

Würdinghauser Str. 53
D-57399 Kirchhundem
Phone +49 (0) 27 23 772-0
Fax +49 (0) 27 23 772-266

SIMONA S.A. Paris

Z.I. 1, rue du Plant Loger
F-95335 Domont Cedex
Phone +33 (0) 1 39 35 49 49
Fax +33 (0) 1 39 91 05 58
domont@simona-fr.com

SIMONA S.A. Lyon

Z.I. du Chanay
2, rue Marius Berliet
F-69720 Saint-Bonnet-de-Mure
Phone +33 (0) 4 78 40 70 71
Fax +33 (0) 4 78 40 83 21
lyon@simona-fr.com

SIMONA S.A. Angers

Z.I. 20, Bld. de l'Industrie
F-49000 Ecoflant
Phone +33 (0) 2 41 37 07 37
Fax +33 (0) 2 41 60 80 12
angers@simona-fr.com

SIMONA UK LIMITED

Telford Drive
Brookmead Industrial Park
GB-Stafford ST16 3ST
Phone +44 (0) 1785 222444
Fax +44 (0) 1785 222080
mail@simona-uk.com

SIMONA AG SCHWEIZ

Industriezone
Bäumlimattstrasse
CH-4313 Möhlin
Phone +41 (0) 61 8 55 90 70
Fax +41 (0) 61 8 55 90 75
mail@simona-ch.com

SIMONA S.r.l. ITALIA

Via Padana
Superiore 19/B
I-20090 Vimodrone (MI)
Phone +39 02 25 08 51
Fax +39 02 25 08 520
mail@simona-it.com

SIMONA IBERICA SEMIELABORADOS S.L.

Doctor Josep Castells, 26-30
Polígono Industrial Fonollar
E-08830 Sant Boi de Llobregat
Phone +34 93 635 41 03
Fax +34 93 630 88 90
mail@simona-es.com

SIMONA-PLASTICS CZ, s.r.o.

Zděbradská ul. 70
CZ-25101 Říčany-Jažlovice
Phone +420 323 63 78 3-7/-8/-9
Fax +420 323 63 78 48
mail@simona-plastics.cz
www.simona-plastics.cz

SIMONA POLSKA Sp. z o.o.

ul. H. Kamieńskiego 201-219
PL-51-126 Wrocław
Phone +48 (0) 71 3 52 80 20
Fax +48 (0) 71 3 52 81 40
mail@simona.pl
www.simona.pl

SIMONA FAR EAST LIMITED

Room 501, 5/F
CCT Telecom Building
11 Wo Shing Street
Fo Tan
Hongkong
Phone +852 29 47 01 93
Fax +852 29 47 01 98
sales@simona.com.hk

SIMONA AMERICA Inc.

64 N. Conahan Drive
Hazleton, PA 18201
USA
Phone +1 866 501 2992
Fax +1 800 522 4857
mail@simona-america.com
www.simona-america.com